

WACHENDORFF

Automation GmbH & Co. KG

Precise positioning with the LMS CA

- Space-saving and reliable complete system for position, speed and length
- Up to 0.0125 mm/pulse for excellent measurement results
- Suitable for any surface
- Quickly mounted and adjusted



IndustrieROBUST

LMSCA the ultra compact and robust length measuring system including encoder WDGP 36A and 200 mm measuring wheel

- Space-saving and reliable complete system for position, speed and length
- Up to 0.0125 mm/pulse for excellent measurement results
- Suitable for many surfaces
- Absorbent mounting
- Contact pressure – easily adaptable by intelligent central adjustment
- Quickly mounted and adjusted

The patented tooth grid has been developed for simple and definite mounting for a longer service life. The LMSCA is rigidly mounted using the multiple mounting options, with the measuring wheel placed loosely on the moving material. The teeth are loosened with only one central screw, which is secure against loss, and a defined force of the measuring wheel is applied to the material with the tooth grid.

Compared to other systems without this method, it depends on the skill of the assembler how much force is applied to the material. Depending on the surface of the material, you want to select the contact pressure as high as possible in order to exclude possible slippage and, on the other hand, you don't want to damage the material or the surface of the measuring wheel. With the tooth grid, you can give the technician a clear specification of how high the contact pressure should be, with up to 20 N in steps of 5 N. The spiral spring design ensures that the contact pressure is as high as required to avoid possible slippage.

The designed spiral spring ensures that the set contact pressure is permanently applied and also elegantly compensates for larger unevenness and ensures contact with the material at all times.

Depending on the desired area of application, the system with its detailed solutions offers some great benefits.

Small, compact and very accurate:

The LMSCA is only 120 mm long and equipped with a 36 mm diameter rotary encoder. The rotary encoder can provide (depending on the order number) 1 ppr up to 16,384 ppr and thus supplies the right number of pulses for your application. The LMSCA length measuring system achieves a resolution of up to 0.0125 mm/pulse. Alternatively, as an absolute encoder with the patented QuattroMag singleturn technology and EnDra - multiturn technology, the encoder can send e.g. CAN messages, RS 485 or SSI signals.

Can be mounted anywhere:

The encoder is fixed by a clamp, which allows the connector outlet to be positioned as desired. The encoder has a radial connector outlet. A mounting bracket with 2 elongated holes and a cross hole offers every freedom to mount the LMSCA perfectly.

Suitable for any surface:

The measuring wheels with a circumference of 145/200 mm have different surfaces for use on all materials, such as plastic, PVC, painted surfaces, paper, cardboard, metal, textiles, carpet, rubber, foil, etc. with a contact pressure of up to 20 N in 5 N increments that can be precisely adjusted via the grid for optimum protection of the material vs. contact pressure.

Can be used everywhere:

The robust construction and the durable and stable bearing of the swing arm and the encoder are designed for a wide range of applications. Wherever a speed or position is to be measured, such as on an assembly line, in continuous production/measurement or in reversing movements at greater distances, the LMSCA is suitable as a reliable sensor.

- In-line speed measurement for high quality marking of wood, cardboard boxes or packaged food or medicines with e.g. Date Code, Expired Date, Lot, etc.
- In-line speed measurement for quality monitoring with cameras of e.g. foils, carpets, cables, laminates, pipes, décor.
- In-line distance measurement for the determination of volume and tons with an additional sensor, e.g. for parcel services or in quarries.
- In-line speed measurement for gluing cardboard boxes or foils
- Speed and position measurement for storage and retrieval machines can also be realised with a pinion and a toothed rail

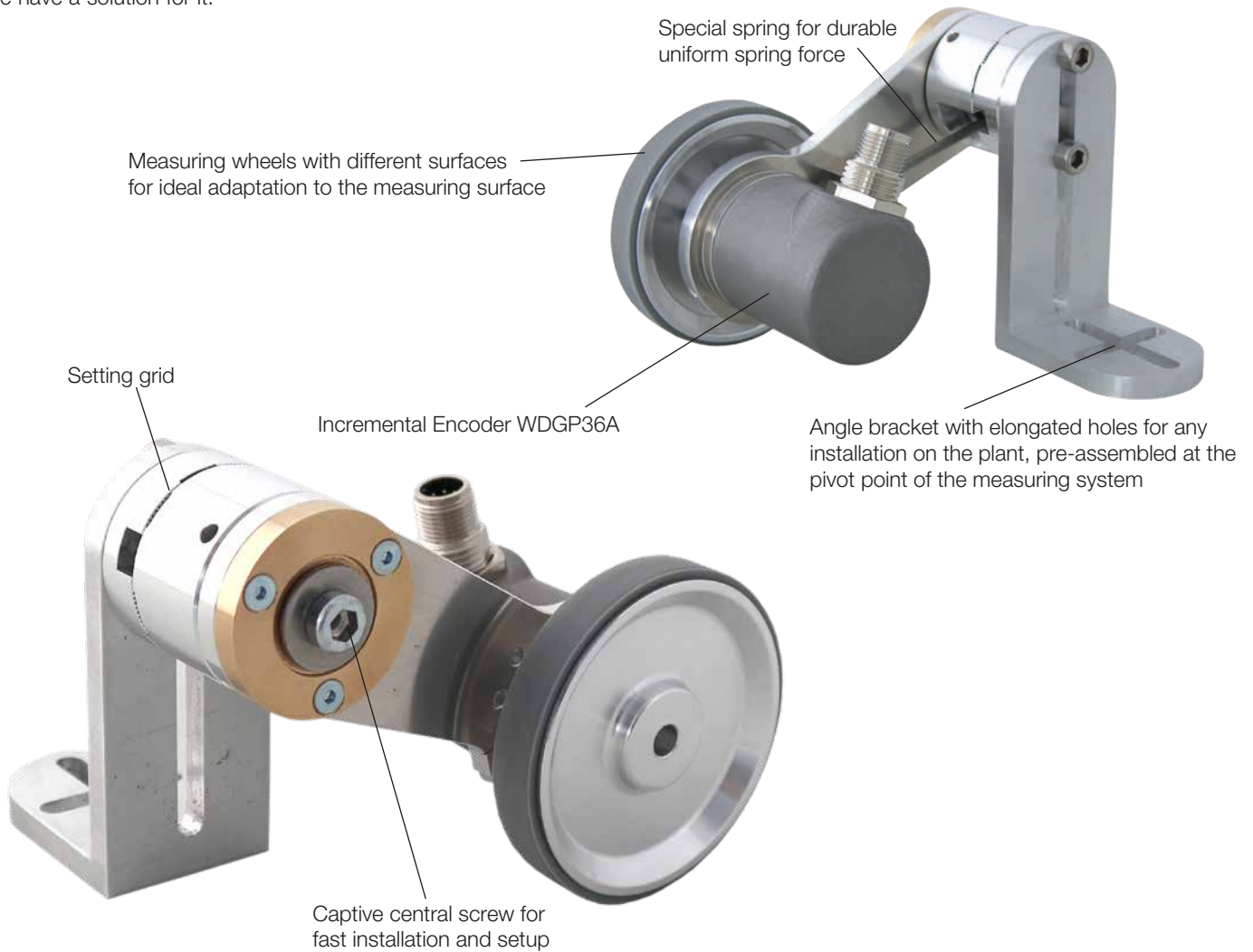
The compact LMSCA has a high protection class of IP67, at the shaft input IP65, is supplied with 4.75 to 32 VDC, delivers ABN and inverted signals in TTL or HTL or CAN, J1939, SSI or RS485 and can be connected via an M12 connector.



Easily mountable – with pre-assembled angle

... the LMSCA32 length measuring system

If direct mounting is not possible at the plant, we have a solution for it.



Order No.: LMSCA32



mm/pulses	Pulses	LMSCA321000024KH	LMSCA321000005KH	LMSCA321000024KG	LMSCA321000005KG	LMSCA321000024NG	LMSCA320100005NG	LMSCA320100024KH	LMSCA320100005KH	LMSCA320100024KG	LMSCA320100005KG	LMSCA320040024NG	LMSCA320040005NG	LMSCA320040024KH	LMSCA320040005KH	LMSCA320040024KG	LMSCA320040005KG	LMSCA320012524KH	LMSCA320012505KH	LMSCA320012524KG	LMSCA320012505KG
1,0	200	•	•	•	•																
0,1	2000					•	•	•	•	•											
0,04	5000										•	•	•	•	•	•					
0,0125	16000																•	•	•	•	•
VDC																					
4.75 up to 32 HTL		•	•	•	•	•	•	•	•	•	•	•	•	•	•	•	•	•	•	•	•
4.75 up to 32 TTL		•	•	•	•	•	•	•	•	•	•	•	•	•	•	•	•	•	•	•	•
Range of appl.*		1	1	2	2	3	3	1	1	2	2	3	3	1	1	2	2	3	3	1	1

* Range of application measuring wheel U = 200 mm
1 LMSxxxKH Plastic, painted surfaces, paper, pasteboard, wood, metal, textiles.
2 LMSxxxKG Plastic, painted surfaces, paper, pasteboard, wood, metal, textiles.
3 LMSxxxNG Textiles.

For further assistance please feel free to contact us.
 We would be happy to help you to find the suitable resolution, measurement wheel, cable length or other accessory to optimize your application.

automation.com

www.wachendorff-



The Wachendorff Group

- Delighted customers
- Corporate responsibility
- Attractive for good employees
- Outstanding quality
- Technology leader
- Environmental protection
- Profitable growth

We are a medium-sized owner-managed corporate group based in the beautiful Rheingau district, situated to the west of Wiesbaden.

Competent, personal, face-to-face advice and long-term collaboration with our business partners are the cornerstones of our continual growth. We are certified according to DIN ISO 9001.

Wachendorff Automation GmbH & Co. KG

The development and manufacturing of rotary encoders, engine feedback devices and complete measuring systems for use in a wide range of serial production applications in mechanical and plant engineering. An extensive standard range featuring numerous options and efficient development of customised solutions.

Wachendorff Prozesstechnik GmbH & Co. KG

A reliable supplier since 1978 of robust, high quality industrial devices for visualizing, communicating and processing data in the areas of mechanical, plant and building automation.



Wachendorff Automation GmbH & Co. KG
Industriestrasse 7 • D-65366 Geisenheim

Tel.: +49 (0) 67 22 / 99 65 - 25
Fax: +49 (0) 67 22 / 99 65 - 70
E-Mail: wdg@wachendorff.de
www.wachendorff-automation.com



2021

Your distributor: